

Carrier 3 battery

DATASHEET

Specifications

Rated voltage
Com. Protocol
BMS
Voltage scope (V)
Charge mode
Operation temperature charge

36 V
RS-485
Smart BMS
31-42V
CC-CV (4 pin Pro-Movec charger)
0°C -45°C

Tests & certifications

IP
Certifications
IP 65
CE / EN 15194
ROHS / REACH
UN 38,3, MSDS

Mounting parameter

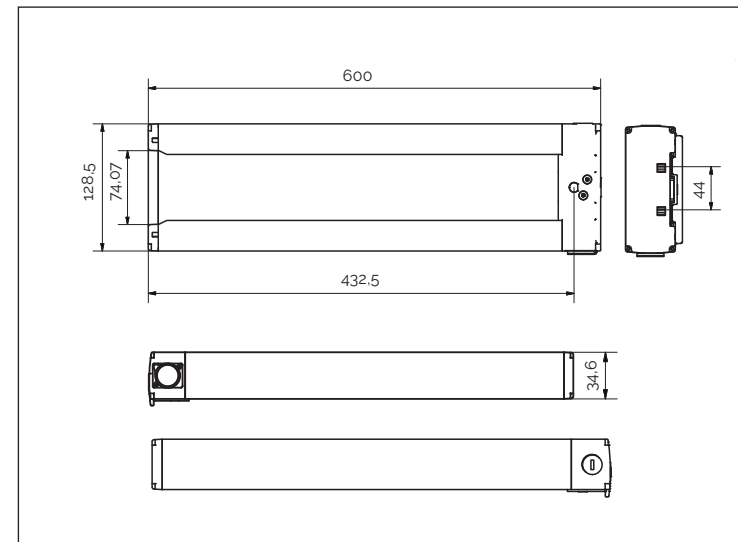
Position
Weight (kg)
Controller position
Carrier
Charger

Carrier
2,6-2,7
Carrier / center
Optional
4 pin Pro-Movec charger

Battery options

Part No.	Name	Capacity
50660-BL	CAR3	6,6Ah, 36V, 475Wh
50661-BL	CAR3	7,8Ah, 36V, 280Wh
50176-1	CAR3	8,7Ah, 36V, 313Wh
50662-BL	CAR3	10,2Ah, 36V, 367Wh
50664-BL	CAR3	13,2Ah, 36V, 475Wh

DIMENSIONS



Jan.2018, VS_1