

Carrier 4 battery

DATASHEET

Specifications

Rated voltage	36 V
Com. Protocol	UART
BMS	Smart BMS
Voltage scope (V)	31-42V
Charge mode	CC-CV (3 pin Pro-Movec charger)
Operation temperature charge	0°C -45°C
Rear light	Yes

Battery options

Battery options		
Part No.	Name	Capacity
50639-BL	CAR4	8,8Ah, 36V, 317Wh
50640-BL	CAR4	11,0Ah, 36V, 396Wh
50641-BL	CAR4	13,2Ah, 36V, 475Wh
50642-BL	CAR4	17,4Ah, 36V, 626Wh

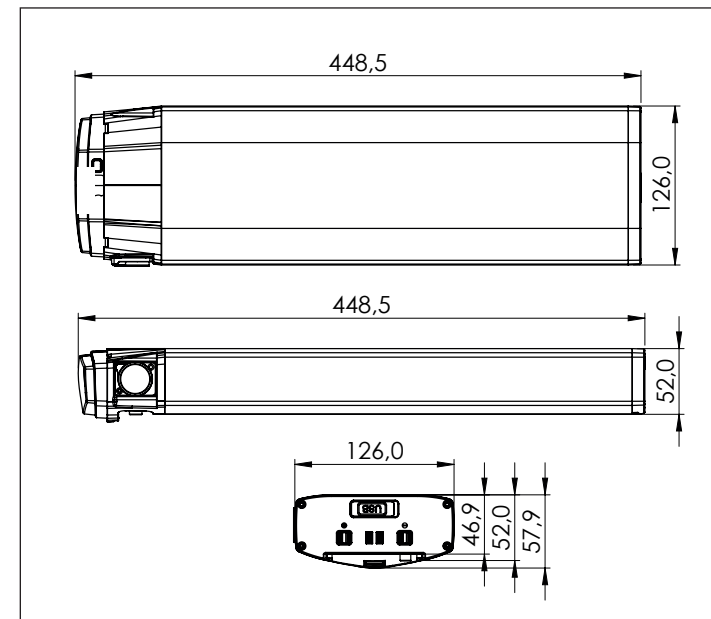
Mounting parameter

Position	Carrier
Weight (kg)	2,3-4,0
Controller position	Carrier / center
Carrier	Optional
Charger	3 pin Pro-Movec charger

Tests & certifications

IP	IP 65
Certifications	CE / EN 15194
	ROHS / REACH
	UN 38,3, MSDS

DIMENSIONS



Jan. 2018, VS_1