

Carrier 5 battery

DATASHEET

Specifications

Rated voltage	36 V
Com. Protocol	UART
BMS	Smart BMS
Voltage scope (V)	31-42V
Charge mode	CC-CV (Type A pin Pro-Movec charger)
Operation temperature charge	0°C -45°C

Mounting parameter

Position	Carrier
Dimension (mm)	408x123x70
Weight (kg)	1,8-2,6
Controller position	Carrier / center
Carrier	Optional
Charger	Type A Pro-Movec charger

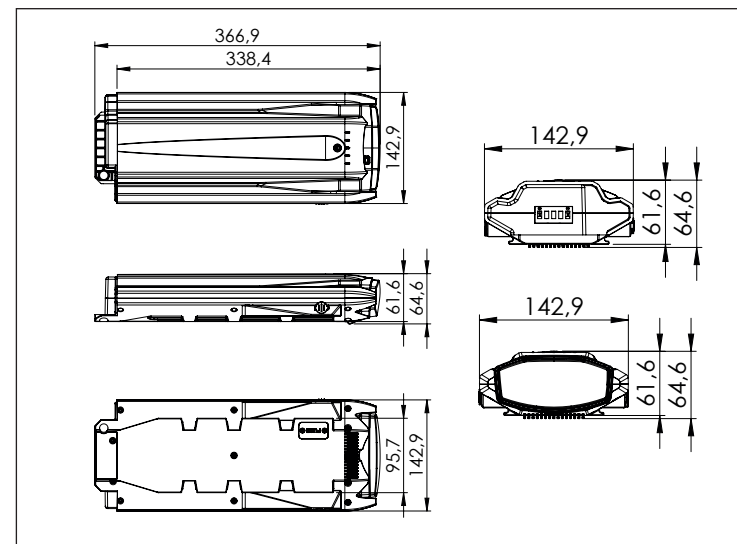
Battery options

Part No.	Name	Capacity
50788-BL	CAR5	6,6Ah, 36V, 238Wh
50780-BL	CAR5	8,8Ah, 36V, 317Wh
50781-BL	CAR5	11,0Ah, 36V, 396Wh

Tests & certifications

IP	IP 65
Certifications	CE / EN 15194
	ROHS / REACH
	UN 38,3, MSDS

DIMENSIONS



Dec. 2017, VS_1