



PREMIUM  
LINE

# Center motor 50361

DATASHEET

## Specifications

|                         |                                |
|-------------------------|--------------------------------|
| Position                | <b>Center</b>                  |
| Reverse pedaling        | <b>Free</b>                    |
| Rated Voltage           | <b>36 V</b>                    |
| Rated Power             | <b>250 W</b>                   |
| Max. support bike speed | <b>25-32 km/h</b>              |
| Max Torque              | <b>70 Nm</b>                   |
| Efficiency              | <b>Min. 85 %</b>               |
| Walk assist function    | <b>No</b>                      |
| Pedal Sensor            | <b>Magnetic torque</b>         |
| Pedal arms              | <b>175 mm included</b>         |
| Color                   | <b>Black/silver</b>            |
| Weight                  | <b>4,7 kg incl. controller</b> |
| Operation Temperature   | <b>Max. 120°</b>               |
| Wire                    | <b>IP66 Plug</b>               |
| Max RPM                 | <b>90 RPM</b>                  |

## Function

|                        |  |
|------------------------|--|
| Gear sensor Function   | <b>Yes</b>                                   |
| Light Output (DCV / W) | <b>36V / 10 W</b>                            |
| Brake cut-off          | <b>Yes</b>                                   |
| Compatible Brake Type  | <b>V-brake, Roller brake,<br/>Disc brake</b> |

## Tests & Certifications

|                   |                             |
|-------------------|-----------------------------|
| IP classification | <b>IP54</b>                 |
| Certifications    | <b>CE / EN 15194 / ROHS</b> |

## Further specifications

|                       |  |
|-----------------------|--|
| Drive                 | <b>Sprocket</b>  |
| Sprocket size         | <b>38-46 teeth or hub for<br/>BCD 104 mm sprocket.</b> |
| Display protocol      | <b>V1</b>  |
| Compatible Wheel Size | <b>20"-29"</b>   |

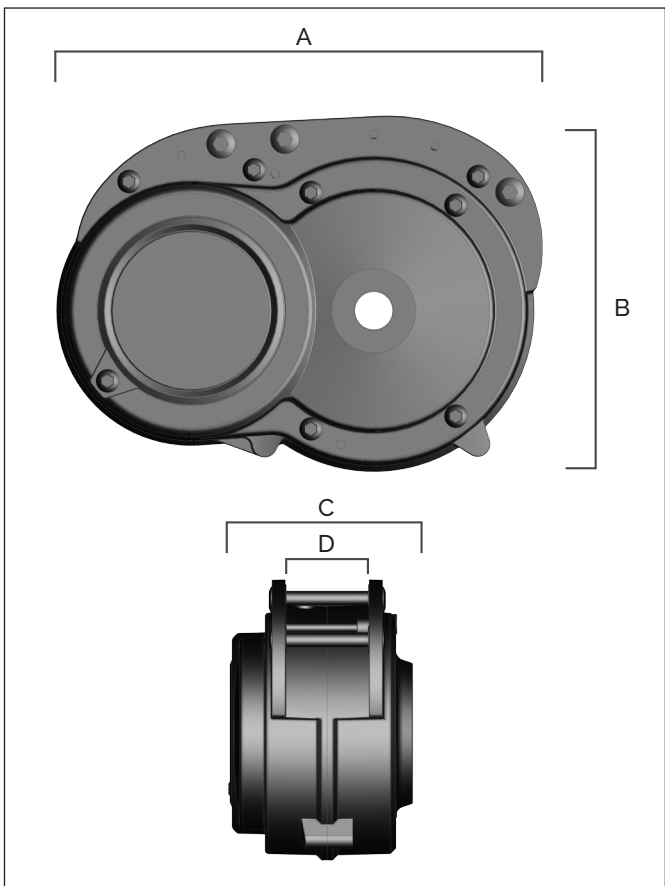
## Mounting parameters

|              |              |
|--------------|--------------|
| Bracket type | <b>PM-01</b> |
|--------------|--------------|

## Cables & connector

- Multi Connector for Wire harness
- Battery connection
- Wheel speed sensor

## DIMENSIONS



|                   |                  |
|-------------------|------------------|
| <b>A</b> 207,8 mm | <b>C</b> 98,9 mm |
| <b>B</b> 151,8 mm | <b>D</b> 45 mm   |

Jan. 2018, VS\_1