

# Display 50935, center

DATASHEET

## Suitable e-kits

P1\_60252  
P2\_60260  
P3\_60261  
P4\_60254  
P5\_60255  
D2\_60256  
C1\_60262

## Specifications

Assist	<b>5 steps</b>
Battery	<b>5 levels</b>
Light on/off	<b>Yes</b>
Walk-assist protocol	<b>Yes</b>
Plug	<b>V1</b>
Backlight	<b>IP 66</b>
Position	<b>Blue</b>
Wheel size	<b>Center</b>
	<b>Adjustable</b>

## Additional data

Rated voltage	<b>36/48</b>
Weight (g)	<b>70</b>

## Mounting parameters

Holder (mm)	<b>Ø21, Ø22, Ø25,4, Ø32</b>
Cable length (mm)	<b>750 mm</b>
Connector	<b>V1</b>

## Indication information

Display type	<b>LCD</b>
Capacity indication	<b>Yes</b>
Walk assist	<b>Yes</b>
Backlight	<b>Yes</b>
Backlight intensity	<b>Adjustable</b>
Error indication	<b>Error code</b>
Km & MPH	<b>Yes</b>

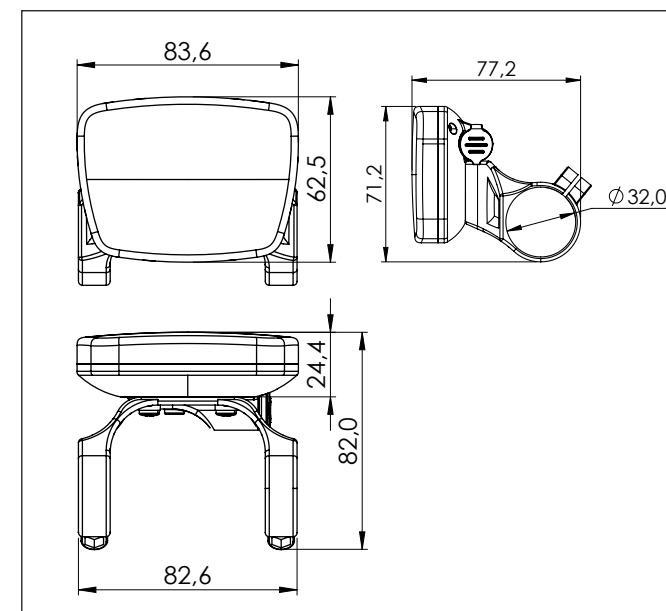
## Interface

Buttons	<b>5</b>
Throttle	<b>Yes</b>

## Tests & certifications

IP	<b>IP 65</b>
Certifications	<b>CE / EN 15194 / REACH / ROHS</b>

## DIMENSIONS



Jan. 2018, VS\_1