

Display 50982-750

DATASHEET

Suitable e-kits

E2_60259

E3_60253

E4_60257

Specifications

Assist	5 steps
Battery	5 levels
Light on/off	Yes
Walk-assist protocol	Yes
Plug	V1
Color LED	IP 66
Position	Green
	Left

Additional data

Rated voltage	36/48
Weight (g)	70

Mounting parameters

Holder (mm)	Ø21
Cable length (mm)	750 mm
Connector	V1

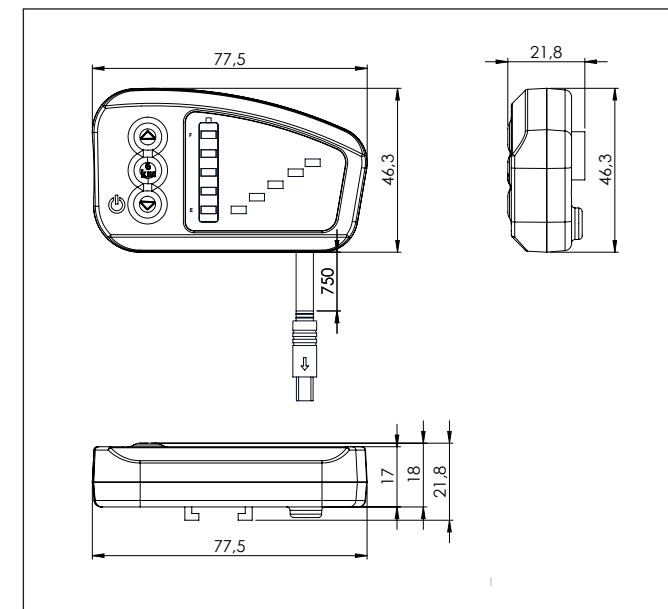
Indication information

Display type	LED
Capacity indication	Yes
Walk assist	Yes
Backlight	No
Error indication	LED flash

Tests & certifications

IP	IP 65
Certifications	CE / EN 15194 / REACH / ROHS

DIMENSIONS



Jan. 2018, VS_1