

Front motor 50742-BL

DATASHEET

Specifications

Position	Front
Freewheel	Yes
Rated Voltage	36 V
Rated Power	250 W
Max. support bike speed	25 km/h
Max Torque	38 Nm
Efficiency	Min. 85 %
Walk assist function	Yes
Color	Black/silver
Weight	2,6 kg
Operation Temperature	Max. 120°
Wire	IP66 Plug
Max RPM	200 RPM

Function

Compatible brake type	Disc / V-brake
-----------------------	-----------------------

Tests & Certifications

IP classification	IP54
Certifications	CE / EN 15194 / ROHS

Further specifications

Compatible Wheel Size	26"-29"
-----------------------	----------------

Mounting parameters

Fork width	100 mm
Axle diameter	Ø12 mm
Slot width	10 mm

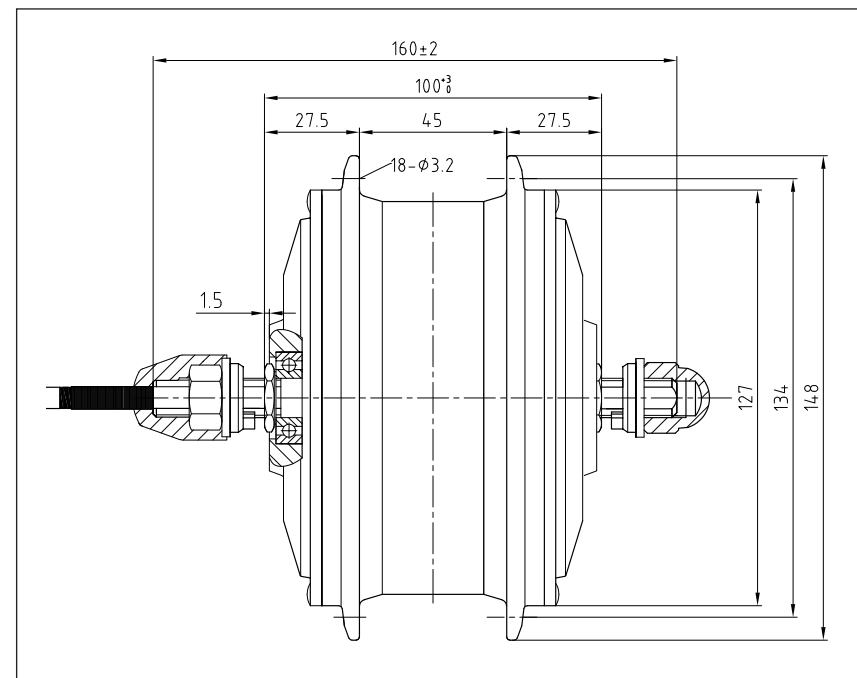
Cables & connector

Cable length	180 mm
Total cable length	2000 mm

Spoke specifications

Flange width	40 mm
Spoke hole center-center	128 mm
Spoke hole diameter	Ø3,0 mm

DIMENSIONS



Jan. 2018, VS_1