

Front motor 50975-BL

DATASHEET

Specifications

Position	Front
Freewheel	Yes
Rated Voltage	36 V
Rated Power	250 W
Max. support bike speed	25 km/h
Max Torque	33 Nm
Efficiency	Min. 85 %
Walk assist function	Yes
Color	Black/silver
Weight	3 kg
Operation Temperature	Max. 120°
Wire	IP66 Plug
Max RPM	200 RPM

Function

Compatible brake type	V-brake
-----------------------	----------------

Tests & Certifications

IP classification	IP54
Certifications	CE / EN 15194 / ROHS

Further specifications

Compatible Wheel Size	26"-29"
-----------------------	----------------

Mounting parameters

Fork width	100 mm
Axle diameter	Ø12 mm
Slot width	10 mm

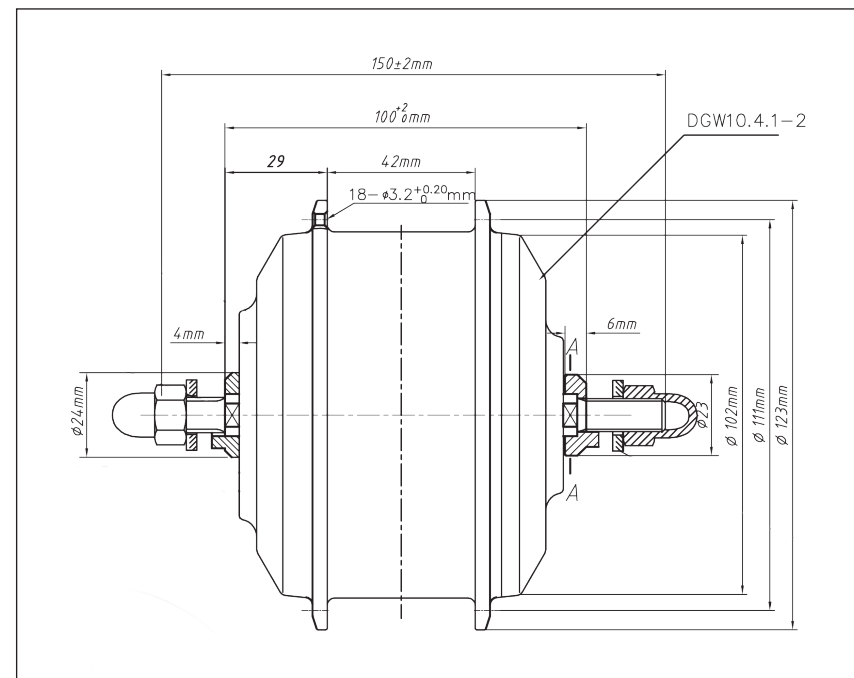
Cables & connector

Cable length	220 mm
--------------	---------------

Spoke specifications

Flange width	42 mm
Spoke hole center-center	111 mm
Spoke hole diameter	3,2 mm

DIMENSIONS



Jan. 2018, VS_1