

Display 50951

DATASHEET

Specifications

Assist	4 steps
Battery	4 levels
Light on/off	Yes
Walk-assist protocol	Yes
Plug	V1
Color LED	IP 66
Position	Blue
Wheelsize	Left
	Adjustable

Additional data

Rated voltage	36/48
Weight (g)	70

Mounting parameters

Holder (mm)	Ø21
Cable length (mm)	750 mm
Connector	V1

Indication information

Display type	LCD
Capacity indication	Yes
Walk assist	Yes
Backlight	Yes
Error indication	Error code

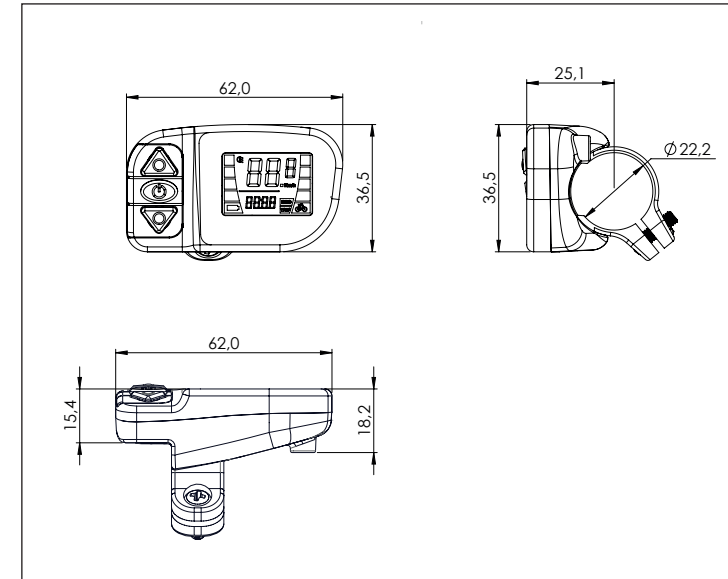
Interface

Buttons	3
Throttle	No

Tests & certifications

IP	IP 65
Certifications	CE / EN 15194 / REACH / ROHS

DIMENSIONS



Jan. 2018, VS_1