

Controller carrier 4

DATASHEET

Type	Carrier 4
Motor code	S07
Motor position	Front / rear

Specifications

Voltage	36V
Power rating	250W
Light output	Yes
Brake cut off support	Yes
BB pedal sensor type	Speed
Display protocol	v1
Speed limit	25 km/t
Walk-assist	Yes
Throttle function	Yes

Wiring

Battery connection	Integrated	Connector:
Motor cable	Integrated	9 pin circular
BB sensor cable	Integrated	5 pin circular
Display cable	Integrated	V1
Brake cut off + light cable	Integrated	3-pin circular

Tests & specification

IP	IP54
Certifications	CE / EN 15194 / REACH / ROHS

Battery information

Battery type	Carrier 4
Battery communication	Yes

Options

Wheel size	26" (50974-1-26")
------------	--------------------------

Driving mode

Speed /ECO

Compatible motors

50742

Compatible sensors

50960, 50920, 50587

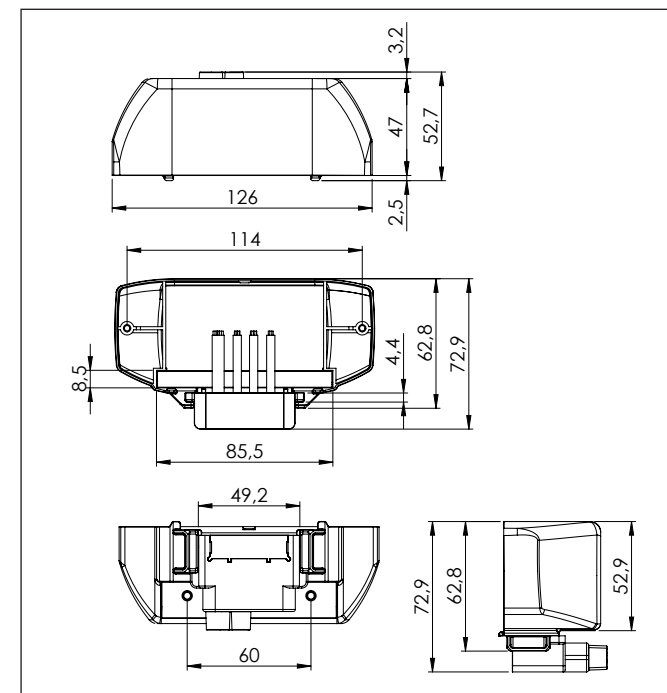
Compatible displays

V1

Compatible batteries

Carrier 4: 50640-BL, 50784-BL, 50642-BL, 50639-BL

DIMENSIONS



Jan. 2018, VS_1