

Speed sensor 50960

DATASHEET

Type **Compact**
Position **Left**

Specifications

Voltage **5V**
Impulses per rotation **12**
Angle between pulses **30°**
Rotation direction **Duty-cycle >50%**
Sensor type **Speed**
Operating temperature **-20°C-45°C**
BB bracket type **BSA**
Sensor width **7,2 mm**

Tests & specification

IP **IP66**
Certifications **CE / EN 15194 / REACH / ROHS**

Wiring

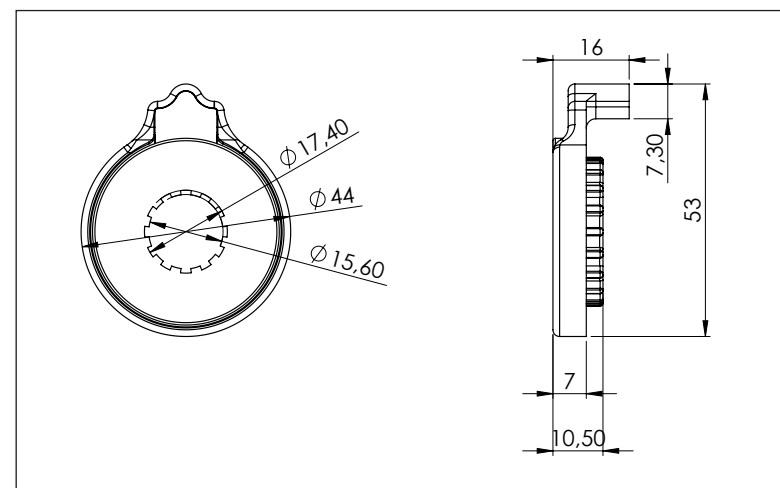
BB speed sensor cable **750 mm** Connector: **5-pin circular** Rating: **IP 66**

Wiring options

BB speed sensor cable **650 mm (50961-650)**

Various cable lengths **180 mm, 520 mm, 630 mm, 700 mm**

DIMENSIONS



Jan. 2018, VS_1