

Speed sensor 50961

DATASHEET

Type
Position

Compact
Left

Specifications

Voltage	5V
Impulses per rotation	12
Angle between pulses	30°
Rotation direction	Duty-cycle >50%
Sensor type	Speed
Operating temperature	-20°C-45°C
BB bracket type	BSA
Sensor width	7,2 mm

Tests & specification

IP	IP66
Certifications	CE / EN 15194 / REACH / ROHS

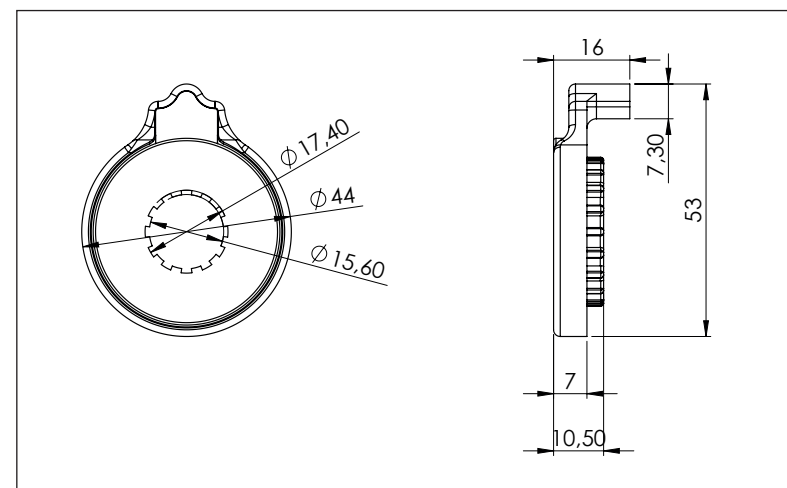
Wiring

BB speed sensor cable	750 mm	Connector:	Rating:
		3-pin SM male	IP 54

Wiring options

BB speed sensor cable	650 mm (50961-650)
-----------------------	---------------------------

DIMENSIONS



Jan. 2018, VS_1