

Speed sensor 50961

DATASHEET

Type **Compact**
Position **Left**

Specifications

Voltage **5V**
Impulses per rotation **12**
Angle between pulses **30°**
Rotation direction **Duty-cycle >50%**
Sensor type **Speed**
Operating temperature **-20°C-45°C**
BB bracket type **BSA**
Sensor width **7,2 mm**

Tests & specification

IP **IP66**
Certifications **CE / EN 15194 / REACH / ROHS**

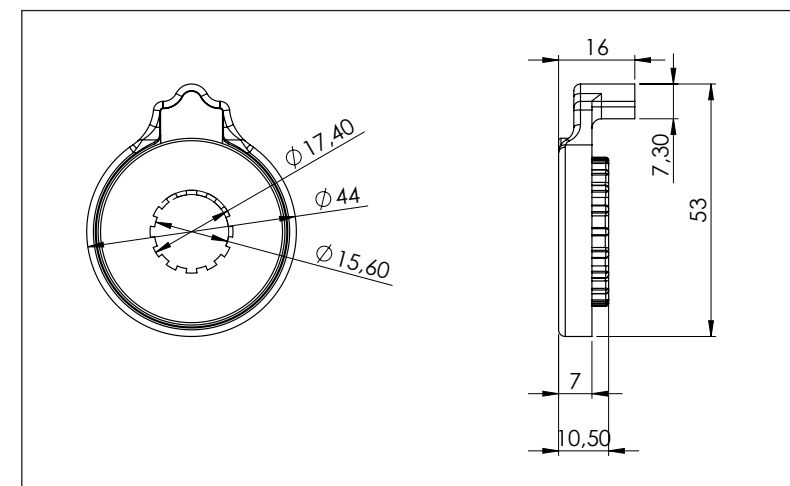
Wiring

BB speed sensor cable **750 mm** Connector: **3-pin SM male** Rating: **IP 54**

Wiring options

BB speed sensor cable **650 mm (50961-650)**

DIMENSIONS



Jan. 2018, VS_1