

Chaincase battery

DATASHEET

Specifications

Rated voltage	36 V
Com. Protocol	RS-485
BMS	Smart BMS
Voltage scope (V)	31-42V
Charge mode	CC-CV (Type A Pro-Movec charger)
Operation temperature charge	0°C -45°C

Mounting parameter

Position	Chaincase
Weight (kg)	1,9
Controller position	Center (chaincase)
Charger	4 pin Pro-Movec charger

Mounting

Chaincase	50630 (see frame catalogue)
-----------	------------------------------------

Battery options

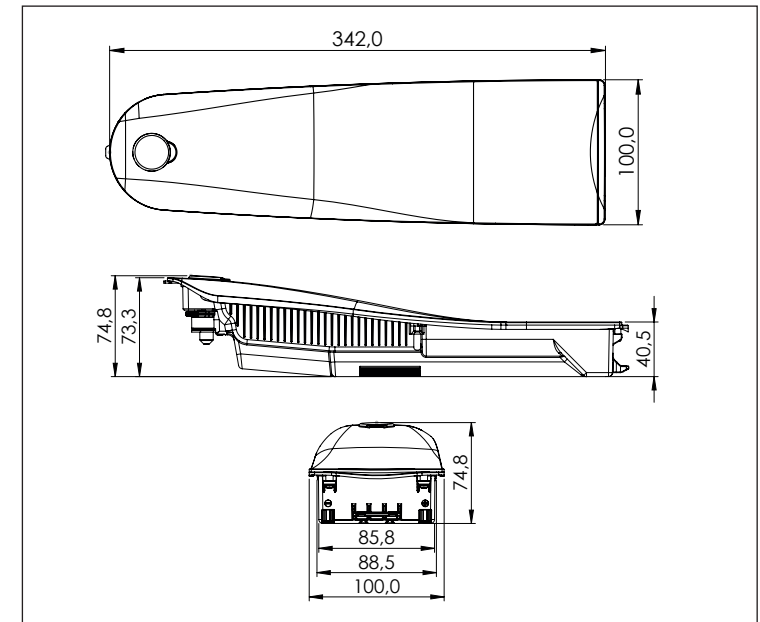
Part No.	Name	Capacity
50246	CC	9,6Ah, 36V, 345Wh

Available in different colors.

Tests & certifications

IP	IP 65
Certifications	CE / EN 15194 ROHS / REACH UN 38,3, MSDS

DIMENSIONS



Jan. 2018, VS_1