

# Carrier 6/2-XL battery

## DATASHEET

### Specifications

Rated voltage	<b>36 V</b>
Com. Protocol	<b>UART</b>
BMS	<b>Smart BMS</b>
Voltage scope (V)	<b>31-42V</b>
Charge mode	<b>CC-CV (3 pin Pro-Movec charger)</b>
Operation temperature charge	<b>0°C -45°C</b>
Backlight light	<b>Yes</b>

### Battery options

Part No.	Name	Capacity
50637-BL-C	CAR6/2	8,8Ah, 36V, 316Wh
50663-BL-C	CAR6/2	12,8Ah, 36V, 482Wh
50638-BL-C-36V	CAR6/2-XL	11,0Ah, 36V, w/light, 396Wh
50774-BL-C-36V	CAR6/2-XL	13,2Ah, 36V, w/light, 415Wh
50775-BL-C-36V	CAR6/2-XL	15,6Ah, 36V, w/light, 562Wh
50776-BL-C-36V	CAR6/2-XL	17,4Ah, 36 w/light, 626Wh

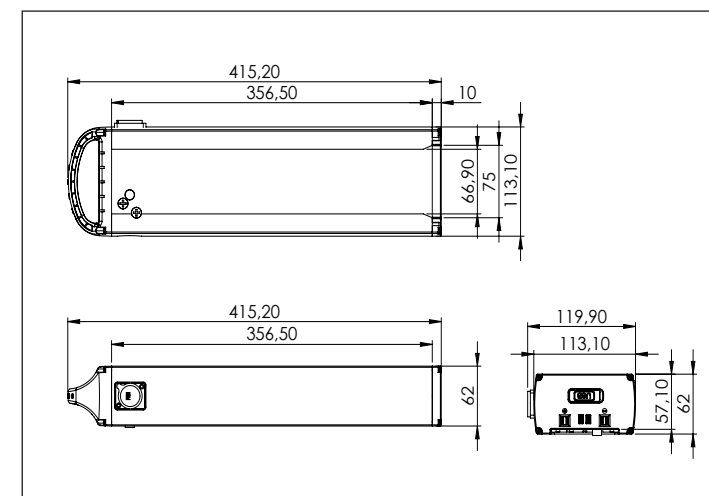
### Mounting parameter

Position	<b>Carrier</b>
Weight (kg)	<b>2,6-3,1</b>
Controller position	<b>Carrier / center</b>
Carrier	<b>Optional</b>
Charger	<b>3 pin Pro-Movec charger</b>

### Tests & certifications

IP	<b>IP 65</b>
Certifications	<b>CE / EN 15194</b> <b>ROHS / REACH</b> <b>UN 38,3, MSDS</b>

### DIMENSIONS



Jan. 2018, VS\_1