

Carrier 6 battery

DATASHEET

Specifications

Rated voltage	36 V
Com. Protocol	UART
BMS	Smart BMS
Voltage scope (V)	31-42V
Charge mode	CC-CV (3 pin Pro-Movec charger)
Operation temperature charge	0°C -45°C
Backlight light	Yes

Battery options

Part No.	Name	Capacity
50637-BL-C	CAR6/2	8,8Ah, 36V, 316Wh
50663-BL-C	CAR6/2	12,8Ah, 36V, 482Wh
50638-BL-C-36V	CAR6/2-XL	11,0Ah, 36V, w/light, 396Wh
50774-BL-C-36V	CAR6/2-XL	13,2Ah, 36V, w/light, 415Wh
50775-BL-C-36V	CAR6/2-XL	15,6Ah, 36V, w/light, 562Wh
50776-BL-C-36V	CAR6/2-XL	17,4Ah, 36 w/light, 626Wh

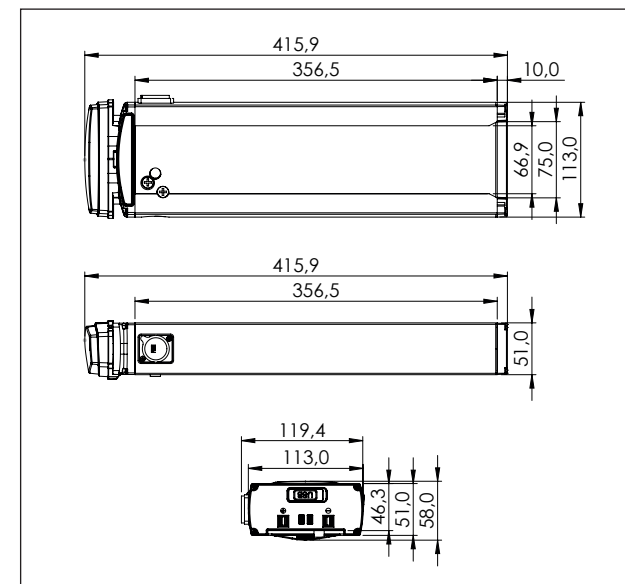
Mounting parameter

Position	Carrier
Weight (kg)	2,6-3,1
Controller position	Carrier / center
Carrier	Optional
Charger	3 pin Pro-Movec charger

Tests & certifications

IP	IP 65
Certifications	CE / EN 15194 ROHS / REACH UN 38,3, MSDS

DIMENSIONS



Jan. 2018, VS_1