

Display 50695-2

DATASHEET

Specifications

Assist	4 steps
Battery	4 levels
Light on/off	Yes
Walk-assist	Yes
Protocol	V1
Plug	IP 66
Color backlight	Blue
Position	Left

Additional data

Rated voltage	36/48
Weight (g)	70

Mounting parameters

Handlebar (mm)	Ø21
Cable length (mm)	750 mm
Connector	V1 + charge

Indication information

Display type	LCD
Capacity indication	Yes
Walk assist	Yes
Backlight	Yes
Error indication	Error codes
Km/MPH	Yes

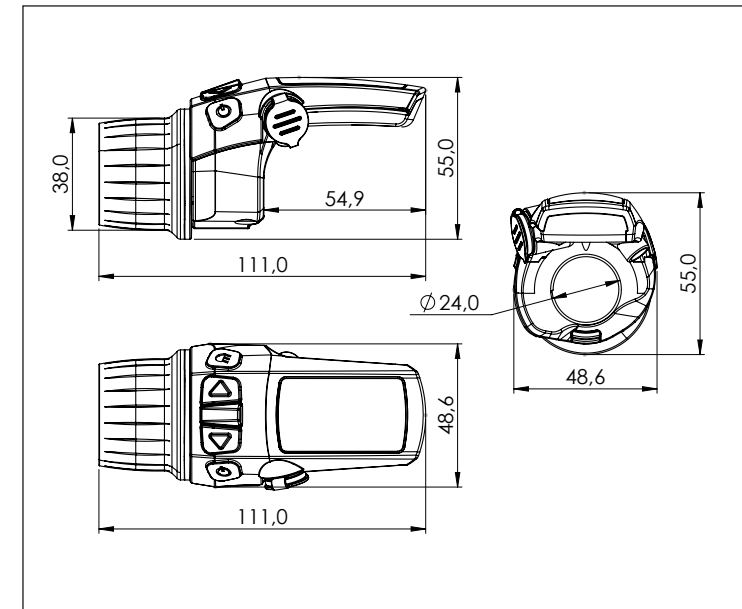
Tests & certifications

IP	IP 65
Certifications	CE / EN 15194 / REACH / ROHS

Additional

Wheel size	Adjustable
Throttle function	System dependant

DIMENSIONS



Jan.2018, VS_1