



PREMIUM
LINE

Display 50935, center

DATASHEET

Specifications

Assist	5 steps
Battery	5 levels
Light on/off	Yes
Walk-assist protocol	Yes
Plug	V1
Backlight	IP 66
Position	Blue
Wheel size	Center
	Adjustable

Additional data

Rated voltage	36/48
Weight (g)	70

Mounting parameters

Holder (mm)	Ø21, Ø22, Ø25,4, Ø32
Cable length (mm)	750 mm
Connector	V1

Indication information

Display type	LCD
Capacity indication	Yes
Walk assist	Yes
Backlight	Yes
Backlight intensity	Adjustable
Error indication	Error code
Km & MPH	Yes

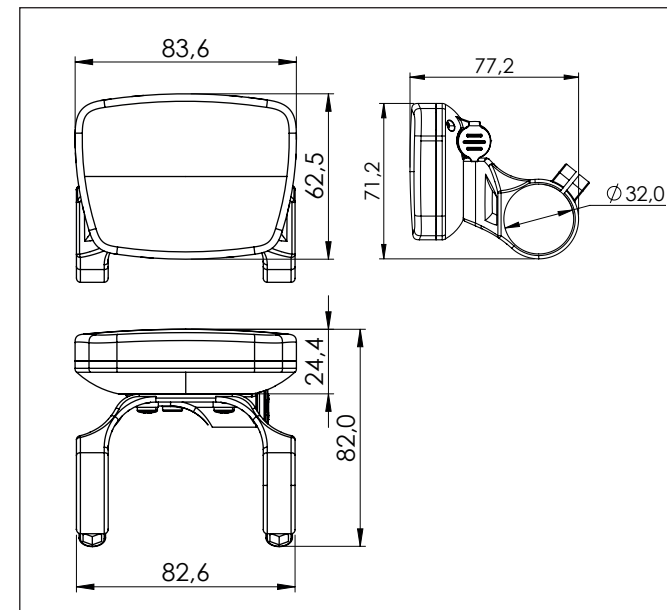
Interface

Buttons	5
Throttle	Yes

Tests & certifications

IP	IP 65
Certifications	CE / EN 15194 / REACH / ROHS

DIMENSIONS



Jan. 2018, VS_1