

# Display 50706

DATASHEET

## Specifications

Assist	<b>5 steps</b>
Battery	<b>5 levels</b>
Light on/off	<b>Yes</b>
Walk-assist	<b>Yes</b>
Protocol	<b>V1</b>
Plug	<b>IP 66</b>
Color LED	<b>Blue</b>
Position	<b>Left</b>

## Additional data

Rated voltage	<b>36/48</b>
Weight (g)	<b>70</b>

## Mounting parameters

Handlebar (mm)	<b>Ø21</b>
Cable length (mm)	<b>750 mm</b>
Connector	<b>V1</b>

## Indication information

Display type	<b>LED</b>
Capacity indication	<b>Yes</b>
Walk assist	<b>no</b>
Error indication	<b>LED flash</b>

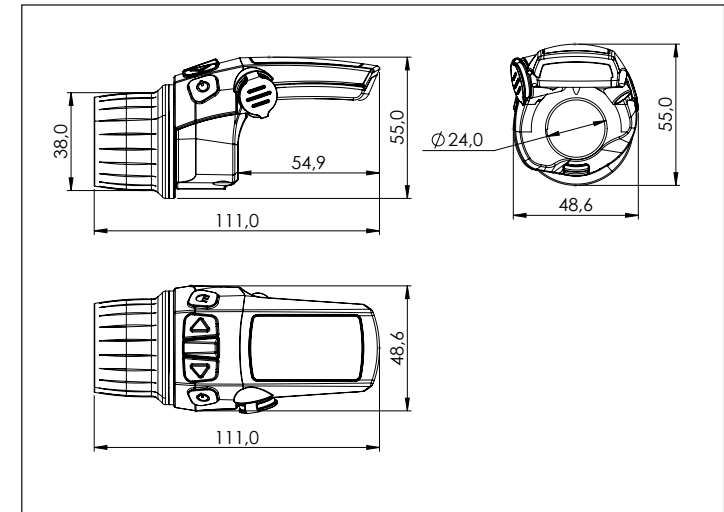
## Interface

Buttons	<b>5</b>
Throttle	<b>Yes</b>

## Tests & certifications

IP	<b>IP 65</b>
Certifications	<b>CE / EN 15194 / REACH / ROHS</b>

## DIMENSIONS



Jan. 2018, VS\_1