

# Display 50706

DATASHEET

## Specifications

|              |                 |
|--------------|-----------------|
| Assist       | <b>5 steps</b>  |
| Battery      | <b>5 levels</b> |
| Light on/off | <b>Yes</b>      |
| Walk-assist  | <b>Yes</b>      |
| Protocol     | <b>V1</b>       |
| Plug         | <b>IP 66</b>    |
| Color LED    | <b>Blue</b>     |
| Position     | <b>Left</b>     |

## Additional data

|               |              |
|---------------|--------------|
| Rated voltage | <b>36/48</b> |
| Weight (g)    | <b>70</b>    |

## Mounting parameters

|                   |               |
|-------------------|---------------|
| Handlebar (mm)    | <b>Ø21</b>    |
| Cable length (mm) | <b>750 mm</b> |
| Connector         | <b>V1</b>     |

## Indication information

|                     |                  |
|---------------------|------------------|
| Display type        | <b>LED</b>       |
| Capacity indication | <b>Yes</b>       |
| Walk assist         | <b>no</b>        |
| Error indication    | <b>LED flash</b> |

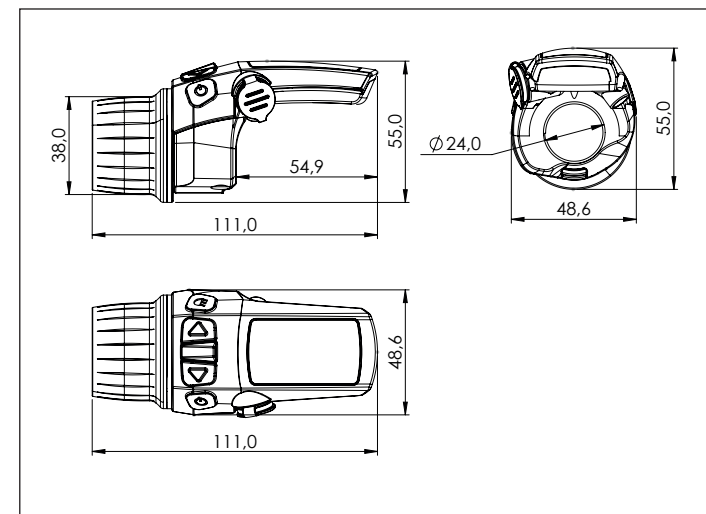
## Interface

|          |            |
|----------|------------|
| Buttons  | <b>5</b>   |
| Throttle | <b>Yes</b> |

## Tests & certifications

|                |                                     |
|----------------|-------------------------------------|
| IP             | <b>IP 65</b>                        |
| Certifications | <b>CE / EN 15194 / REACH / ROHS</b> |

## DIMENSIONS



Jan. 2018, VS\_1