

Display 50944

DATASHEET

Specifications

Assist	5 steps
Battery	5 levels
Light on/off	Yes
Walk-assist	Yes
Protocol	V1
Plug	IP 66
Color LED	Blue
Position	Left

Additional data

Rated voltage	36/48
Weight (g)	70

Mounting parameters

Handlebar (mm)	Ø21
Cable length (mm)	750 mm
Connector	V1

Indication information

Display type	LED
Capacity indication	Yes
Walk-assist	No
Backlight	Yes
Error indication	Error codes

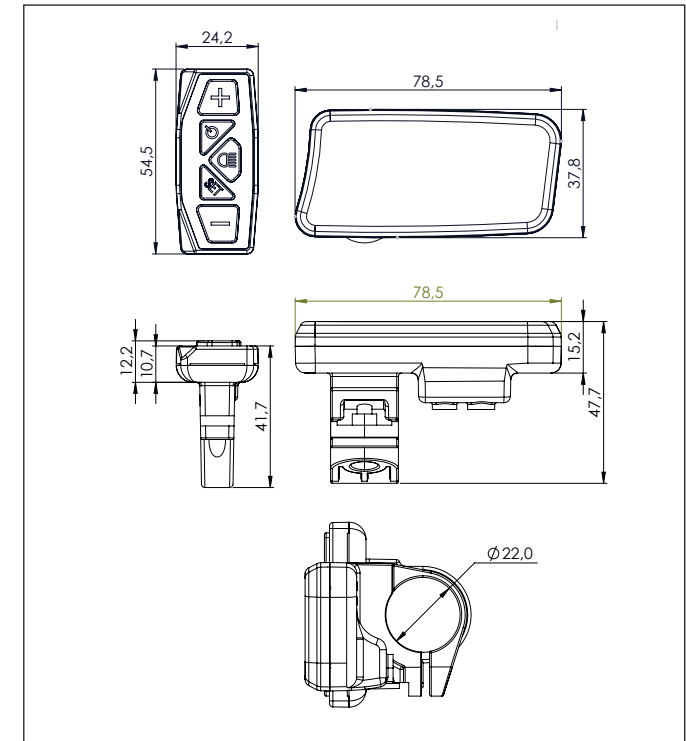
Interface

Buttons	5
Throttle	Yes

Tests & certifications

IP	IP 65
Certifications	CE / EN 15194 / REACH / ROHS

DIMENSIONS



Jan. 2018, VS_1