

Display 50952

DATASHEET

Specifications

Assist	5 steps
Battery	5 levels
Light on/off	Yes
Walk-assist protocol	Yes
Plug	V1
Color LED	IP 66
Position	Blue
	Left

Additional data

Rated voltage	36/48
Weight (g)	70

Mounting parameters

Holder (mm)	Ø21
Cable length (mm)	750 mm
Connector	V1

Indication information

Display type	LED
Capacity indication	Yes
Walk assist	Yes
Backlight	No
Error indication	LED flash

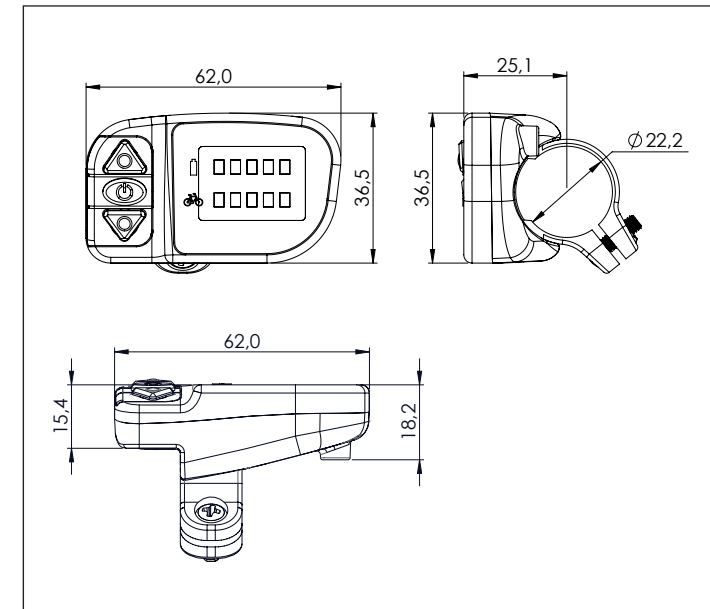
Interface

Buttons	3
Throttle	No

Tests & certifications

IP	IP 65
Certifications	CE / EN 15194 / REACH / ROHS

DIMENSIONS



Jan. 2018, VS_1