

# Speed sensor 50960

## DATASHEET

Type **Compact**  
Position **Left**

### Specifications

Voltage **5V**  
Impulses per rotation **12**  
Angle between pulses **30°**  
Rotation direction **Duty-cycle >50%**  
Sensor type **Speed**  
Operating temperature **-20°C-45°C**  
BB bracket type **BSA**  
Sensor width **7,2 mm**

### Tests & specification

IP **IP66**  
Certifications **CE / EN 15194 / REACH / ROHS**

### Wiring

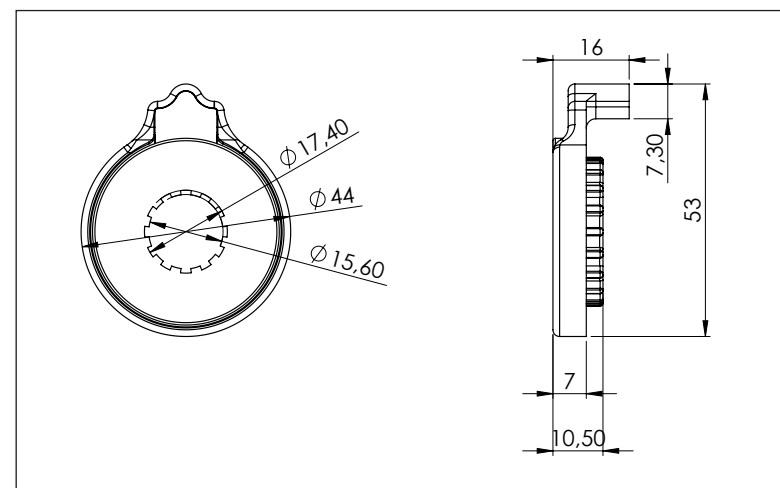
BB speed sensor cable **750 mm**      Connector: **5-pin circular**      Rating: **IP 66**

### Wiring options

BB speed sensor cable **650 mm (50961-650)**

Various cable lengths **180 mm, 520 mm, 630 mm, 700 mm**

### DIMENSIONS



Jan. 2018, VS\_1