

# Speed sensor 50920-150

## DATASHEET

Type  
Position

**Sensor + magnet disc**  
**Right**

### Specifications

Voltage  
Impulses per rotation  
Angle between pulses  
Rotation direction  
Sensor type  
Operating temperature  
BB bracket type

**5V**  
**12**  
**30°**  
**Duty-cycle >50%**  
**Speed**  
**-20°C-45°C**  
**BSA**

### Tests & specification

IP  
Certifications

**IP66**  
**CE / EN 15194 / REACH / ROHS**

### Wiring

BB speed sensor cable

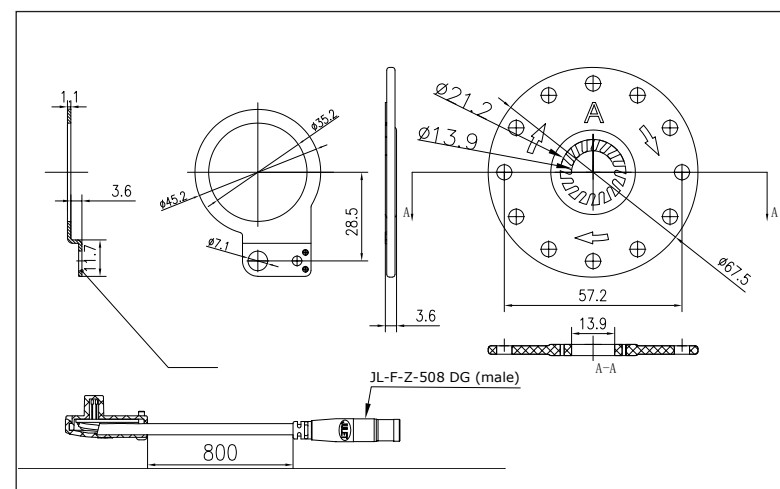
**Length:**      **Connector:**      **Rating:**  
**150 mm**      **5-pin circular**      **IP 66**

### Wiring options

BB speed sensor cable

**800 mm (50920)**

### DIMENSIONS



Jan. 2018, VS\_1