

Controller Carrier 6/XL

DATASHEET

Type **Carrier 6/XL**
Motor position **Front + rear**

Specifications

Voltage **36V**
Power rating **250W**
Light output **6V, 0,4 A**
Brake cut off support **Yes**
BB pedal sensor type **Speed**
Display protocol **v1**
Speed limit **25 km/t**
Walk-assist **Yes**
Throttle function **Yes**

Wiring

Motor cable	Length:	Connector:
BB sensor cable	Integrated	9 pin circular
Display cable	Integrated	5 pin circular
Brake cut off + light cable	Integrated	V1
		3-pin circular

Tests & specification

IP **IP54**
Certifications **CE / EN 15194 / REACH / ROHS**

Battery information

Battery type **UART**
Battery communication **Yes**

Options

Wheel size **26", 28", 29"**
Driving mode **Speed / ECO**

Compatible motors

**50080-3, 50275-2,
50742, 50710, 50704,
50971, 50609-1-BL,
50750**

Compatible sensors

50960, 50920, 50587

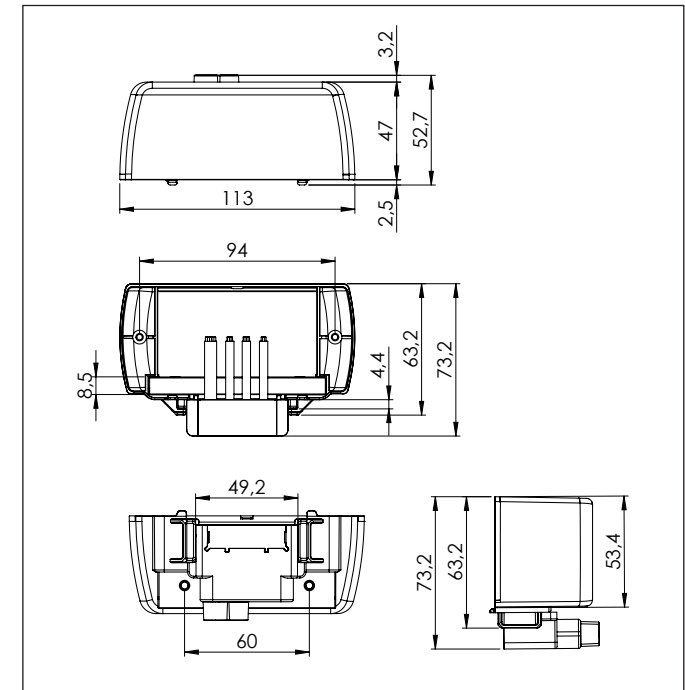
Compatible displays

V1

Compatible batteries

**50638-BL-C-36V,
50663-BL-C,
50774-BL-C-36V,
50775-BL-C-36V,
50776-BL-C-36V,
50789-BL-C-36V**

DIMENSIONS



Jan. 2018, VS_1