

# Carrier 4 battery

## DATASHEET

### Specifications

Rated voltage	<b>36 V</b>
Com. Protocol	<b>UART</b>
BMS	<b>Smart BMS</b>
Voltage scope (V)	<b>31-42V</b>
Charge mode	<b>CC-CV (3 pin Pro-Movec charger)</b>
Operation temperature charge	<b>0°C -45°C</b>
Rear light	<b>Yes</b>

### Battery options

Battery options		
Part No.	Name	Capacity
50639-BL	CAR4	6,6Ah, 36V, 237,6Wh
50640-BL	CAR4	11,0Ah, 36V, 396Wh
50641-BL	CAR4	13,2Ah, 36V, 475Wh
50642-BL	CAR4	17,4Ah, 36V, 626Wh

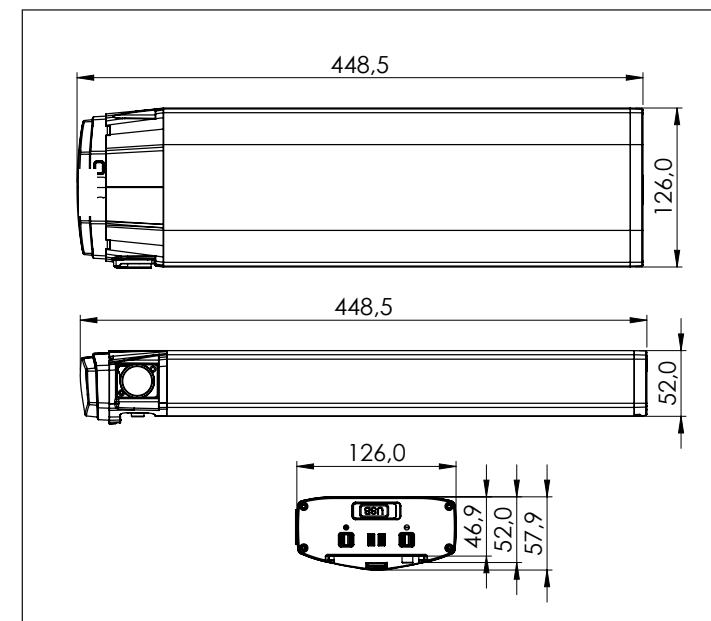
### Mounting parameter

Position	<b>Carrier</b>
Weight (kg)	<b>2,3-4,0</b>
Controller position	<b>Carrier / center</b>
Carrier	<b>Optional</b>
Charger	<b>3 pin Pro-Movec charger</b>

### Tests & certifications

IP	<b>IP 65</b>
Certifications	<b>CE / EN 15194</b> <b>ROHS / REACH</b> <b>UN 38,3, MSDS</b>

### DIMENSIONS



NOV. 2018, VS\_2