

# Carrier 6/2 battery

## DATASHEET

### Specifications

Rated voltage	<b>36 V</b>
Com. Protocol	<b>UART</b>
BMS	<b>Smart BMS</b>
Voltage scope (V)	<b>31-42V</b>
Charge mode	<b>CC-CV (3 pin Pro-Movec charger)</b>
Operation temperature charge	<b>0°C -45°C</b>
Backlight	<b>Yes</b>

### Mounting parameter

Position	<b>Carrier</b>
Weight (kg)	<b>2,6-3,1</b>
Controller position	<b>Carrier / center</b>
Carrier	<b>Optional</b>
Charger	<b>3 pin Pro-Movec charger</b>

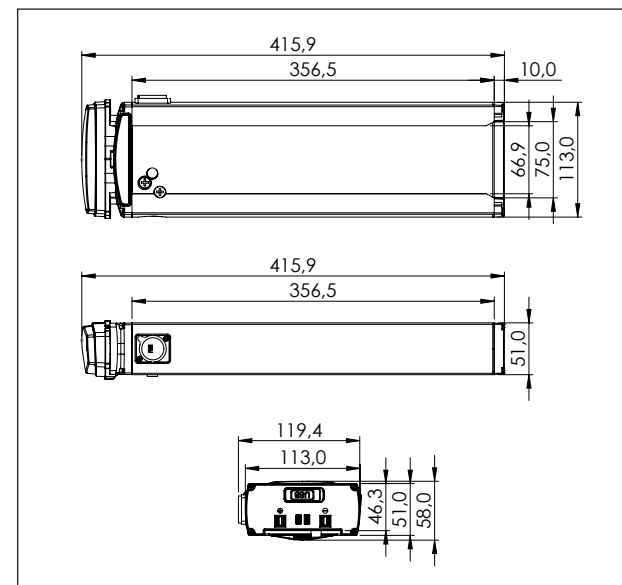
### Tests & certifications

IP	<b>IP 65</b>
Certifications	<b>CE / EN 15194</b>
	<b>ROHS / REACH</b>
	<b>UN 38,3, MSDS</b>

### Battery options

Part No.	Name	Capacity
50637-BL-C	CAR6/2	8,8Ah, 36V, 316Wh
50663-BL-C	CAR6/2	12,8Ah, 36V, 482Wh
51609-BL-C	CAR6/2	10,4Ah, 36V, 374Wh

### DIMENSIONS



Feb. 2020, VS\_2