

# Front motor 50080-3-BL

DATASHEET

## Specifications

Position	<b>Front</b>
Freewheel	<b>Yes</b>
Rated Voltage	<b>36 V</b>
Rated Power	<b>250 W/500W(US/CAN)</b>
Max. support bike speed	<b>25-32 km/h</b>
Max Torque	<b>38 Nm</b>
Efficiency	<b>Min. 85 %</b>
Walk assist function	<b>Yes</b>
Color	<b>Black/silver</b>
Weight	<b>3,0 kg</b>
Operation Temperature	<b>Max. 120°</b>
Wire	<b>IP66 Plug</b>
Max RPM	<b>200 RPM</b>

## Function

Compatible brake type	<b>V-brake</b>
-----------------------	----------------

## Tests & Certifications

IP classification	<b>IP54</b>
Certifications	<b>CE / EN 15194 / ROHS</b>

## Further specifications

Compatible Wheel Size	<b>26"-29"</b>
-----------------------	----------------

## Mounting parameters

Fork width	<b>100 mm</b>
Axle diameter	<b>Ø12 mm</b>
Slot width	<b>10 mm</b>

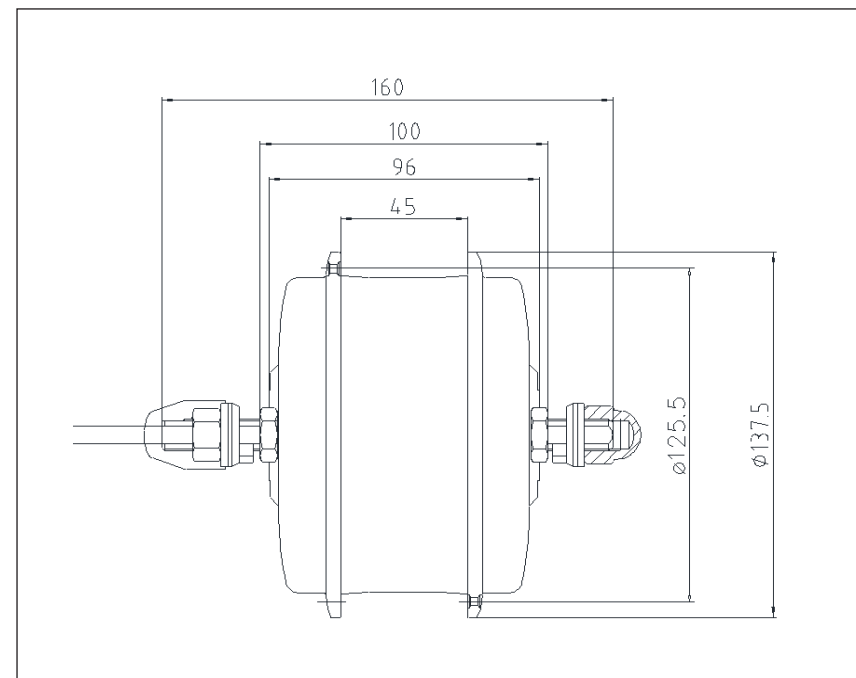
## Cables & connector

Cable length	<b>180 mm</b>
--------------	---------------

## Spoke specifications

Flange width	<b>45 mm</b>
Spoke hole center-center	<b>125,5 mm</b>
Spoke hole diameter	<b>Ø3,2 mm</b>

## DIMENSIONS



JAN. 2020, VS\_2