

# Controller for chaincase - 51409

DATASHEET

Type **Chaincase**  
Motor position **Front**

## Specifications

Voltage **36V**  
Power rating **250W**  
Light output **6V. 0,4A**  
Brake cut off support **Yes**  
BB pedal sensor type **Speed**  
Display protocol **v2**  
Speed limit **25 km/t**  
Walk-assist **Yes**  
Throttle function **Yes**

## Wiring

Motor cable	<b>Length: 1250 mm</b>	<b>Connector: 9 pin circular</b>
Display cable	<b>750 mm</b>	<b>V2</b>
Brake cut off + light	<b>750 mm</b>	<b>3 pin circular</b>
BB speed sensor	<b>200 mm</b>	<b>5 pin circular</b>
Charging cable	<b>750 mm</b>	<b>2 pin circular</b>

## Tests & specification

IP **IP54**  
Certifications **CE / EN 15194 / REACH / ROHS**

## Battery information

Battery type **Chaincase**  
Battery communication **Yes**

## Options

Wheel size **20", 28", 29"**  
Handlebar charge plug **51830**

## Driving mode

**Speed & ECO**

## Mounting chaincase

**See frame catalogue**

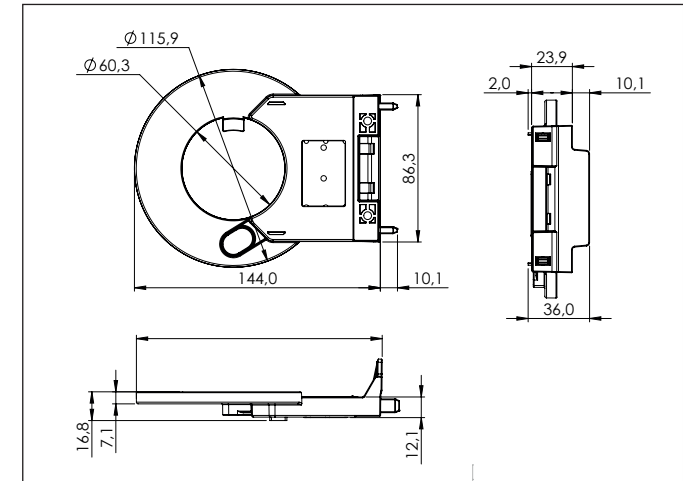
## Compatible displays

**V2**

## Compatible batteries

**Chaincase: 50246, 50247, 50249C**

## DIMENSIONS



April. 2020, VS\_1