



PREMIUM
LINE

Center motor 50371

DATASHEET

Specifications

| | |
|-------------------------|--------------------------------|
| Position | Center |
| Reverse pedaling | Coaster |
| Rated Voltage | 36 V |
| Rated Power | 250 W |
| Max. support bike speed | 25-32 km/h |
| Max Torque | 100 Nm |
| Efficiency | Min. 85 % |
| Walk assist function | No |
| Pedal Sensor | Magnetic torque |
| Pedal arms | 175 mm included |
| Color | Black/silver |
| Weight | 4,7 kg incl. controller |
| Operation Temperature | Max. 120° |
| Wire | IP66 Plug |
| Max RPM | 90 RPM |

Function

| | |
|------------------------|--|
| Gear sensor Function | Yes |
| Light Output (DCV / W) | 6V / 3W |
| Brake cut-off | Yes |
| Compatible Brake Type | V-brake, Roller brake, Disc brake |

Tests & Certifications

| | |
|-------------------|-----------------------------|
| IP classification | IP54 |
| Certifications | CE / EN 15194 / ROHS |

Further specifications

| | |
|-----------------------|--|
| Drive | Sprocket |
| Sprocket size | 38-46 teeth or hub for BCD 104 mm sprocket. |
| Display protocol | V1 |
| Compatible Wheel Size | 20"-29" |

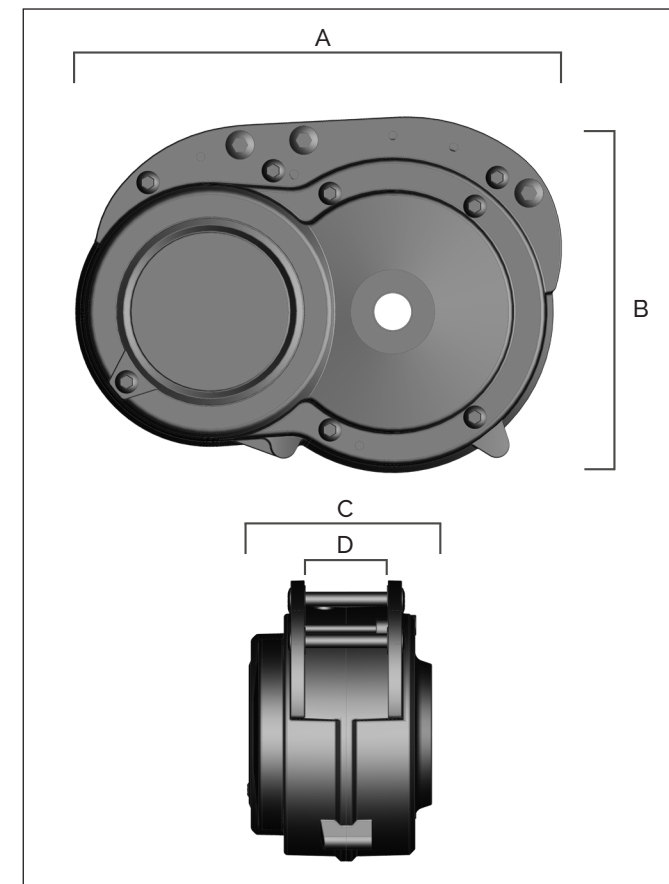
Mounting parameters

| | |
|--------------|--------------|
| Bracket type | PM-01 |
|--------------|--------------|

Cables & connector

- Multi Connector for Wire harness
- Battery connection
- Wheel speed sensor

DIMENSIONS



| | |
|-------------------|------------------|
| A 207,8 mm | C 98,9 mm |
| B 151,8 mm | D 45 mm |

March 2020, VS_2