

Rear motor 50609-1-BL

DATASHEET

Specifications

| | |
|-------------------------|----------------------------|
| Position | Rear |
| Freewheel | Yes |
| Rated voltage | 36 V |
| Rated power | 250 W |
| Max. support bike speed | 25 km/h |
| Max torque | 45 Nm |
| Efficiency | Min. 80 % |
| Walk assist function | Yes |
| Color | Black/silver |
| Weight | 2,2 kg |
| Operation temperature | Max. 120° |
| Wire | IP66 Plug |
| Max RPM | 250 RPM |
| Wheel speed sensor | Integrated |
| Type | BLDC w. hall sensor |

Function

| | |
|-----------------------|-----------------------|
| Compatible brake type | Disc / V-brake |
|-----------------------|-----------------------|

Tests & Certifications

| | |
|-------------------|-----------------------------|
| IP classification | IP54 |
| Certifications | CE / EN 15194 / ROHS |

Mounting parameters

| | |
|---------------|---------------|
| Fork width | 100 mm |
| Axle diameter | Ø12 mm |
| Slot width | 10 mm |

Cables & connector

| | |
|--------------|------------------|
| Cable length | 220 mm |
| Connector | IP66 Plug |

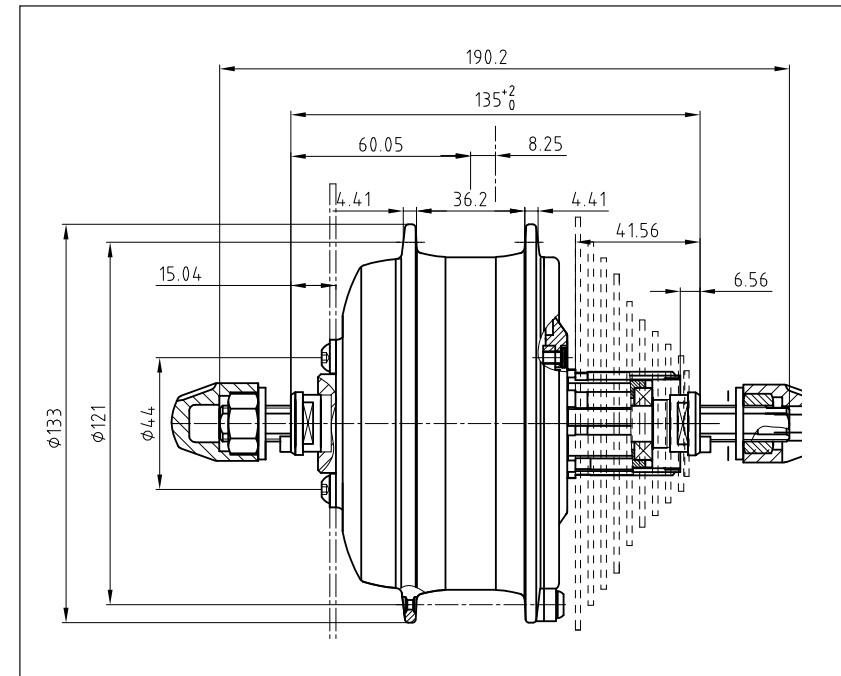
Spoke specifications

| | |
|--------------------------|----------------|
| Flange width | 36,2 mm |
| Spoke hole center-center | 121 mm |
| Spoke hole diameter | Ø3,2 mm |

Further specifications

| | |
|-----------------------|--|
| Compatible wheel size | 26"-29" |
| Rear sprocket | Cassette Shimano 8, 9, 10 speed |

DIMENSIONS



Jan. 2018, VS_1